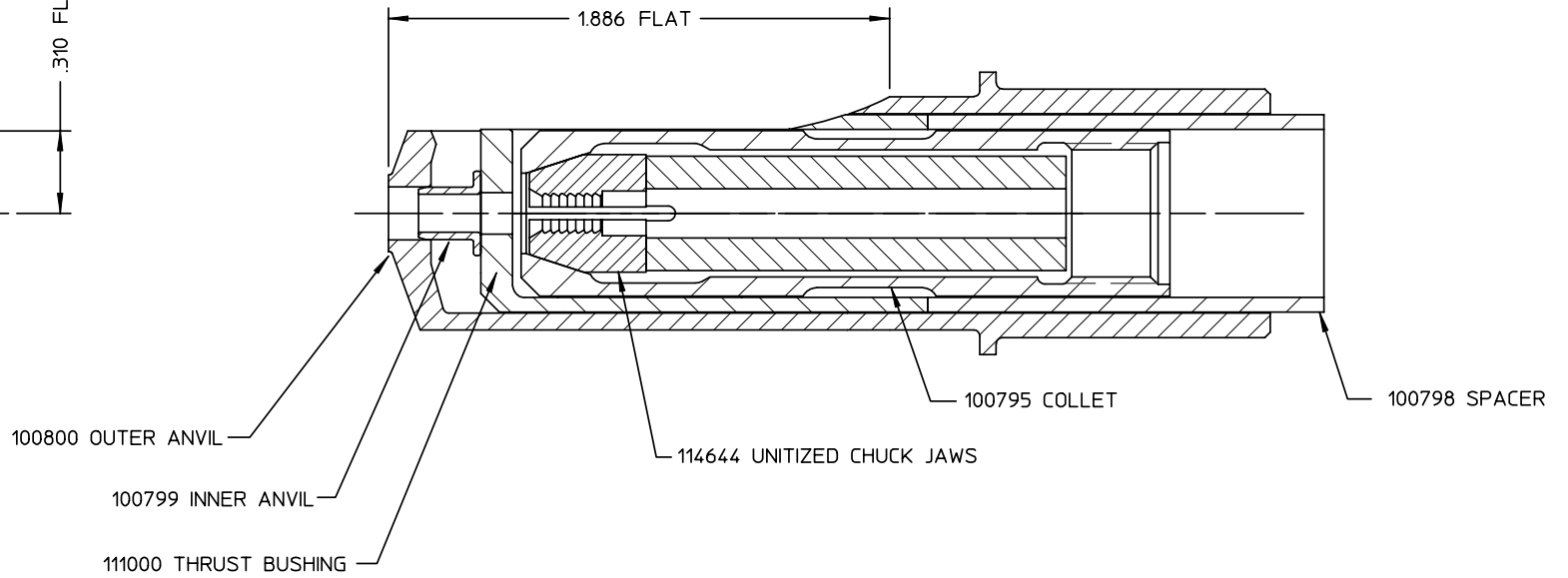
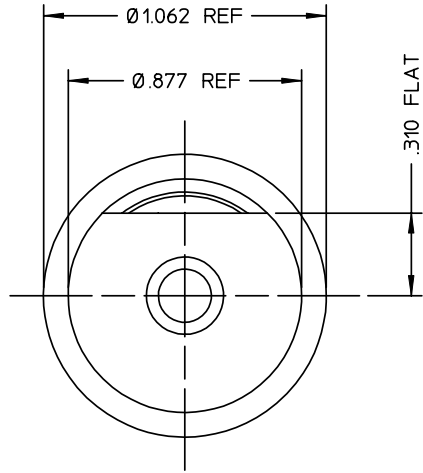


DATA SHEET



Alcoa Fastening Systems

Commercial Products
1 Corporate Drive, Kingston, NY 12401

NOSE TYPE: NON-SELF-RELEASING

FASTENER TYPE: -06 MLS 100

TOOL(S): 200

Notes:

Product Revision: **D**

US Patent:

Date: 06/17/03

99-459

Part Number