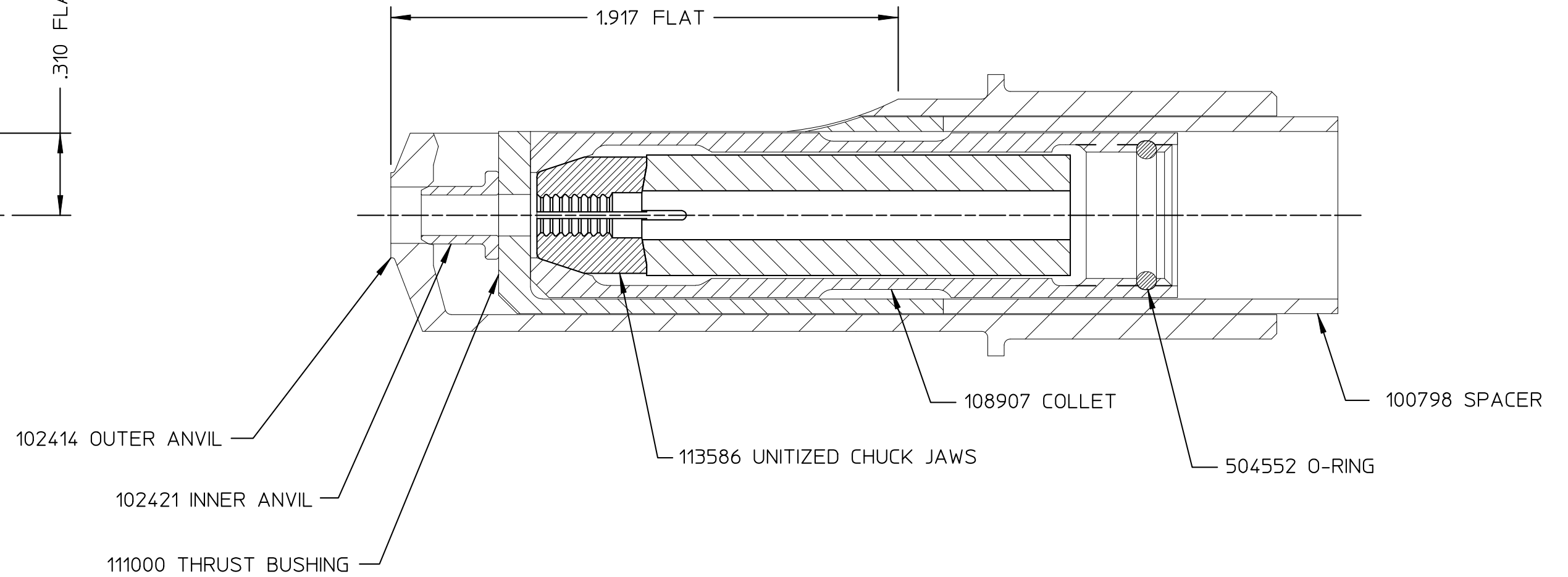
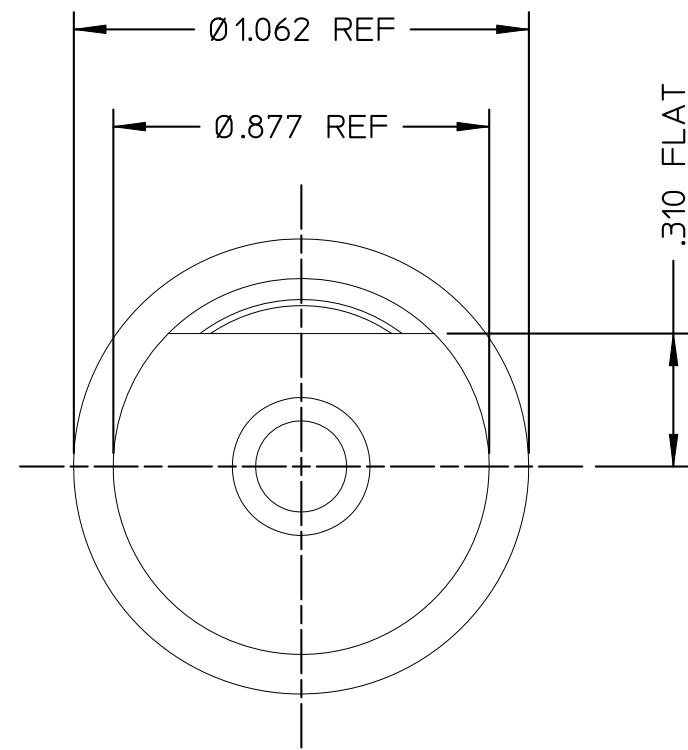


REV	DESCRIPTION	DATE
H	REDRAWN ON CAD	06/15/99



HUCK INTERNATIONAL, INC., I.S.D. 1 CORPORATE DRIVE, P.O. BOX 2270 KINGSTON, NEW YORK 12401			
NOSE ASSEMBLY B6 BLIND BOLT			
DET: MP	CK:	DATE: 06/14/99	SCALE: 2:1
FOC.	B	99-589	
FAC.			