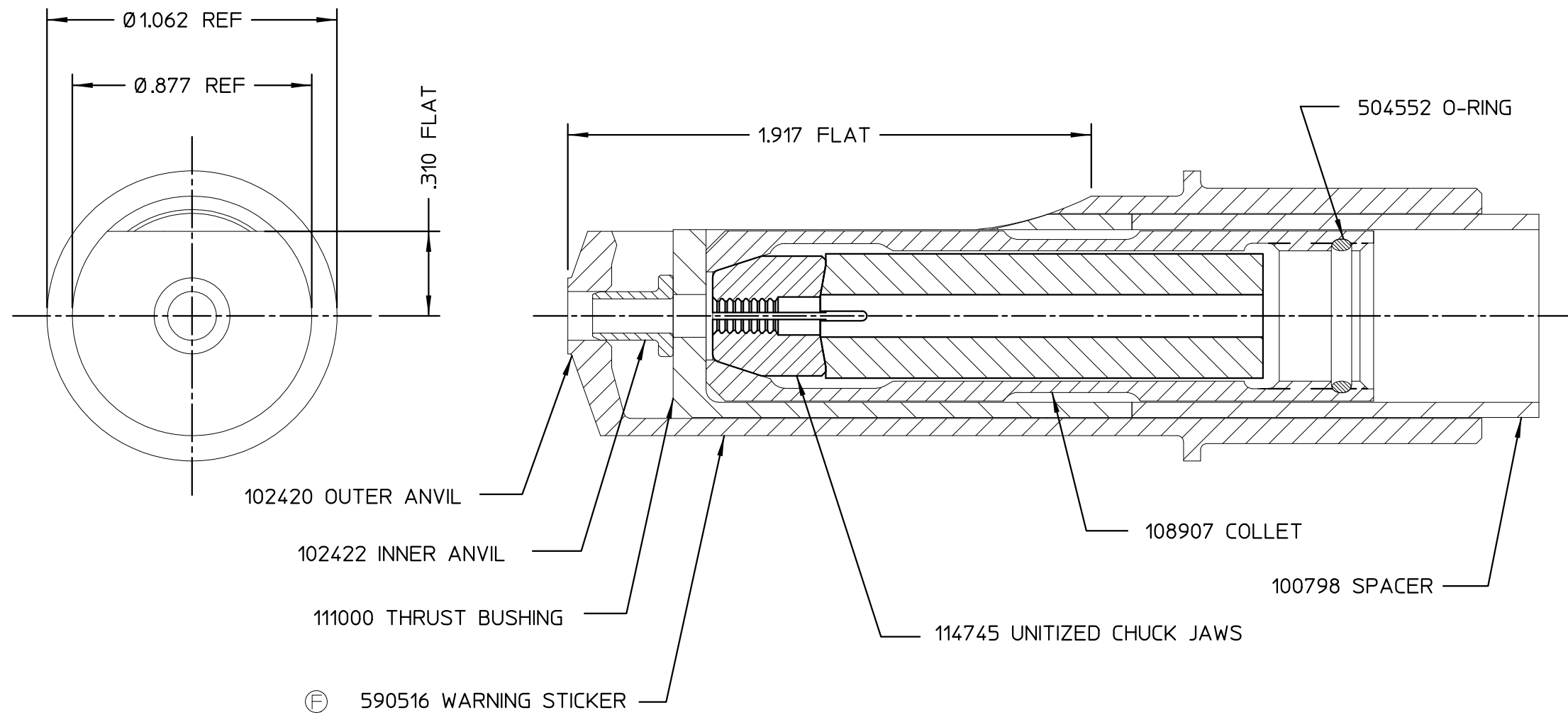


| REV | DESCRIPTION                  | DATE     |
|-----|------------------------------|----------|
| E   | REDRAWN ON CAD               | 06/25/99 |
| F   | ADDED 590516 WARNING STICKER | 05/18/15 |



|  |     |                |            |
|--|-----|----------------|------------|
| HUCK INTERNATIONAL, INC., I.S.D.<br>1 CORPORATE DRIVE, P.O. BOX 2270<br>KINGSTON, NEW YORK 12401 |     |                |            |
| NOSE ASSEMBLY<br>-05 BLIND BOLT  |     |                |            |
| DET: MP  | CK: | DATE: 06/21/99 | SCALE: 2:1 |
| FOC.   | B   | 99-600         |            |
| FAC.   |     |                |            |

By accepting this proprietary Huck drawing, recipient agrees not to reproduce or disclose any part thereof to any others without the written permission of Huck International, Inc.